

Subpart P App E - Alternatives to Timber Shoring

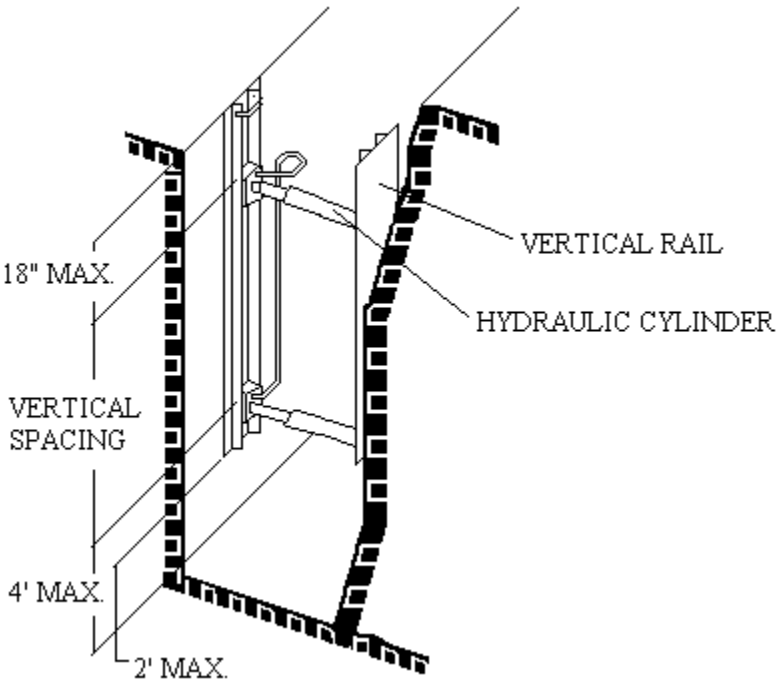


Figure 1 - Aluminum Hydraulic Shoring

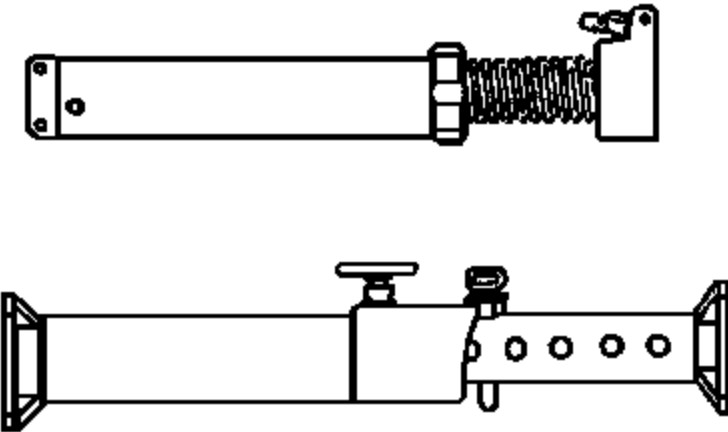


Figure 2 - Pneumatic/hydraulic Shoring

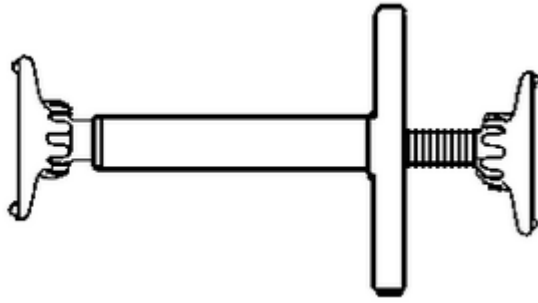


Figure 3 - Trench Jacks (Screw Jacks)

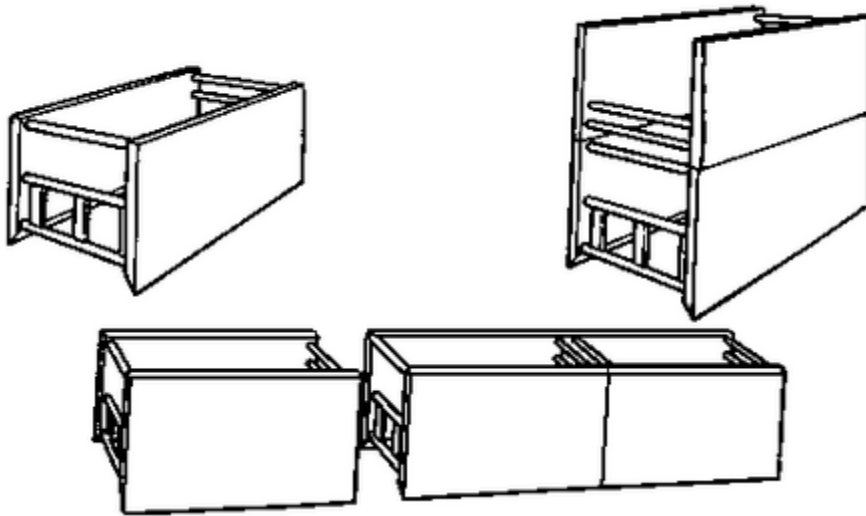


Figure 4 - Trench Shields